



★★★
PROFESSIONAL



Angled IEC Jack

This SCHWAIGER® IEC angled jack is used to connect a coaxial cable to an antenna socket. Thanks to this angled jack, the cable doesn't break upon bending and stays fully shielded. The inner conductors are screwable. This

angled jack allows for optimum, high-resolution cable TV transmission.



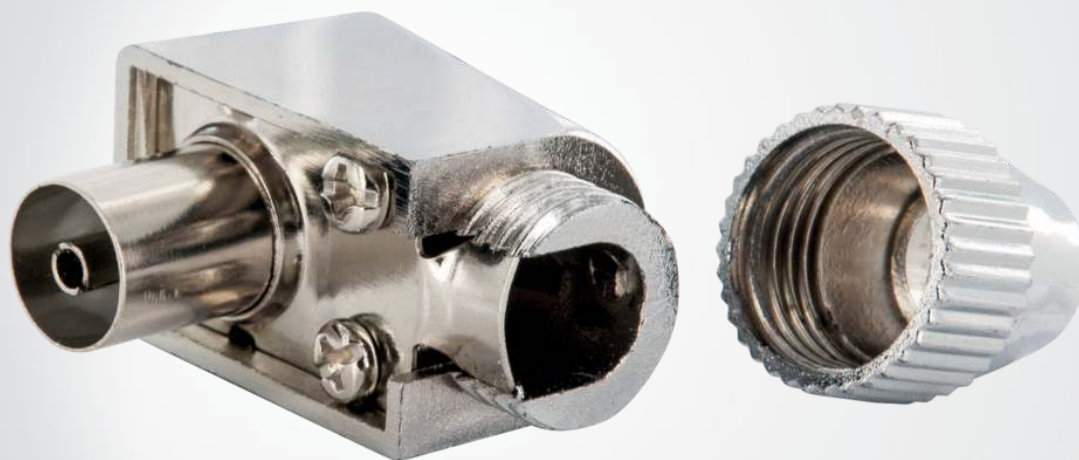
ARTICLE INFORMATION

Article Nr
EAN

WST32 531
4004005032000



Last updated: 23.03.2016

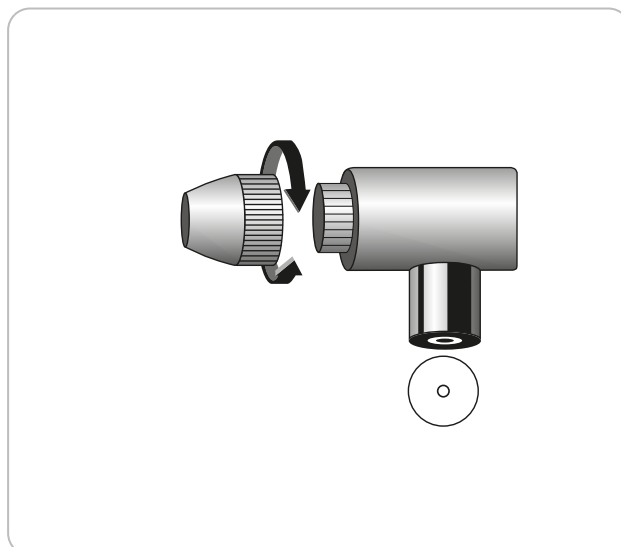


FEATURES (WST32 531)

- for connecting TVs and antenna amplifiers to an antenna socket
- 90° angled jack shortens long cable bendings and prevents cables from breaking
- screwable inner conductor

TECHNICAL DATA

| | |
|---------------------|--|
| quality | ** Professional |
| Connections | 1x angled IEC jack |
| Diameter | 0.5 - 1.1 mm (inner conductor) 4 - 7.5 mm (cable) |
| Content (package) | 1 |
| Material of product | plastic chromium-plated |
| Colour | chrome |
| packaging | sliding blister SBL1S |



Last updated: 23.03.2016