

## TAE Connector Plug (F)

for self-assembly

This SCHWAIGER® connector plug with "F" coding is quickly assembled and suitable for connecting a telephone. The product comes with 6 pins. It is equipped with a protective rubber sleeve and can easily be assembled from the individual parts such as

cable guide and plug. The telephone plug can be fastened to the cable without soldering.

### ARTICLE INFORMATION

Article Nr  
EAN

TST4212 023  
4004005421217



4 004005 421217

Last updated: 23.01.2017

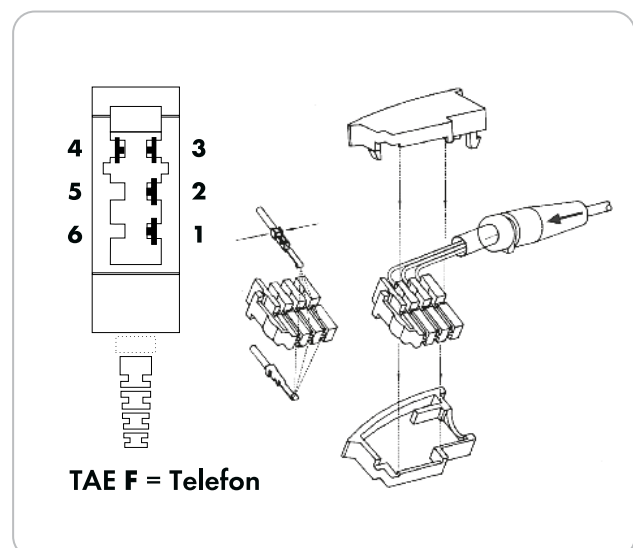


(TST4212 023)

- quickly assembled connector plug with protective rubber sleeve (4-pin, coding F)
- fastening cables without soldering

## TECHNICAL DATA

|             |                           |
|-------------|---------------------------|
| Connections | 1x TAE-F connector (6P4C) |
| Colour      | black                     |
| packaging   | sliding blister 2b        |



Last updated: 23.01.2017