



★★★
PROFESSIONAL



Angular Plastic Cable Raceway

with slanted edges and click system

This 90° angled SCHWAIGER® cable raceway is suitable for bunching and hiding several cables in the corner of a room. The shape of the cable raceway is compatible with the LWK110 series. This product has high stability and resilience. Detailed instructions

and all the necessary accessories guarantee for easy installation of this angular cable raceway.



ARTICLE INFORMATION

Article Nr
EAN

LWKE50 012
4004005020533



Last updated: 26.02.2017



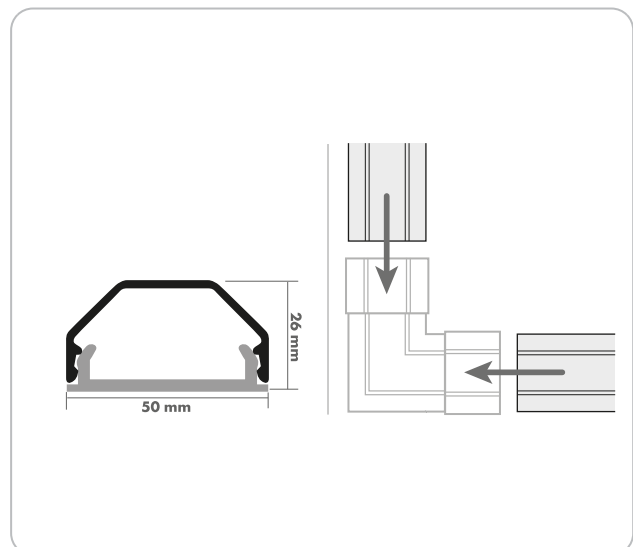
EASY
INSTALLATION
CLICK&SAFE

(LWKE50 012)

- 90° angled cable raceway for installation in corners
- easy installation
- solid design
- compatible cable raceway: LWK 110 series

TECHNICAL DATA

| | |
|---------------------|-----------------|
| Quality | ** Professional |
| Point of use | indoor use |
| Material of product | plastic |
| Colour | white |
| Dimensions (width) | 50 mm |
| Dimensions (height) | 26 mm |
| Dimensions (depth) | 100 mm |
| Packaging | clamshell SF |



Last updated: 26.02.2017