



★★★
PROFESSIONAL



Aluminium Cable Raceway

with slanted edges and click system

This SCHWAIGER® cable raceway is suitable for bunching and hiding several cables. Angular shaped edges provide for high stability and resilience. Detailed instructions

and all the necessary accessories guarantee for easy installation of this cable raceway.



ARTICLE INFORMATION

Article Nr
EAN

LWK110 012
4004005020519



Last updated: 26.02.2017

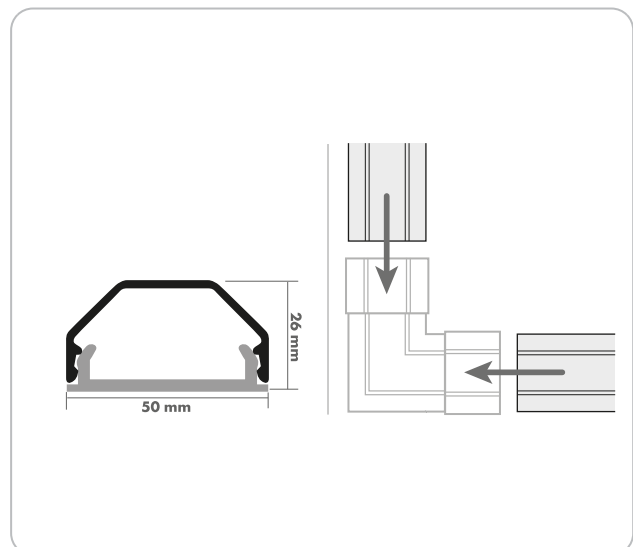


(LWK110 012)

- easy installation
- solid design
- compatible angular cable raceway: LWKE50
- content: cable raceway, 5x screw and dowel

TECHNICAL DATA

Quality	** Professional
Point of use	indoor use
Material of product	Aluminium powder-coated
Colour	white
Dimensions (length)	1.1 m
Dimensions (width)	50 mm
Dimensions (height)	26 mm
Packaging	carton



Last updated: 26.02.2017