



TV MOUNTING

★ ★ ★
ULTIMATE



Sloping roof TV bracket "MOTION 10"

for 30 kg weight, tiltable

The SCHWAIGER® TV ceiling and roof slope bracket is designed for mounting a flat screen. The wall bracket can be flexibly tilted forwards. It is also motorised and can be conveniently controlled by remote control. Thanks to the integrated folding mechanism,

the wall bracket is also ideally suited for mounting underneath cupboards, as it can be folded away at any time to save space, so that no room is permanently lost.



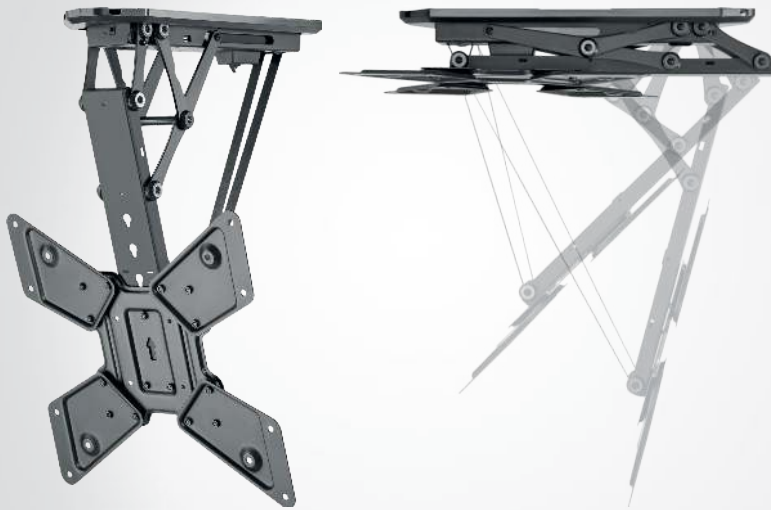
ARTICLE INFORMATION

Article Nr
EAN

LWHDS5530 513
4004005035971



Last updated: 08.12.2021



FEATURES (LWHDS5530 513)

- mount for a flat screen (LED, LCD, TFT or plasma screen)
- folds out for easy storage ("flip down design")
- motorised, in strong, stable and durable design
- conveniently controllable with remote control
- sturdy design
- easy installation and handling
- height adjustable for perfect positioning
- scope of delivery: wall bracket, remote control, mounting accessories, instruction manual

TECHNICAL DATA

Mounting type	Ceiling, sloped roof or cabinet base mounting
VESA norm	100 x 100/200 x 200/300 x 300/400 x 200/400 x 400
Diagonal screen size	58 - 140 cm / 23 - 55 "
Tiltable (vertically)	0° to 75°
Swivelling (axial)	+90° to -90°
Capacity	30 kg
Colour	black
Dimensions (width)	435 mm
Dimensions (height)	663 mm
Dimensions (depth)	516 mm
Packaging	carton

