



★ ★ ★
ULTIMATE



Professional 3D Wall Mount

for Flat Screens (94 - 178 cm)

The extremely solid, TÜV and GS certified 3D SCHWAIGER® wall mount has two hinges and is suitable for mounting a large flat screen. A special feature of this mount is the easy CLICK & SAVE installation. The mount has two support arms, is tiltable and can be

swivelled either to the right or to the left side. Removal of the TV after installation is completely unproblematic. For installation on sturdy and suitable walls only!



ARTICLE INFORMATION

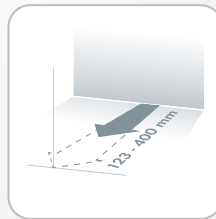
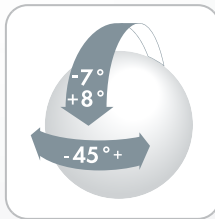
Article Nr
EAN

LWH603D 011
4004005603798



4 004005 603798

Last updated: 28.03.2016

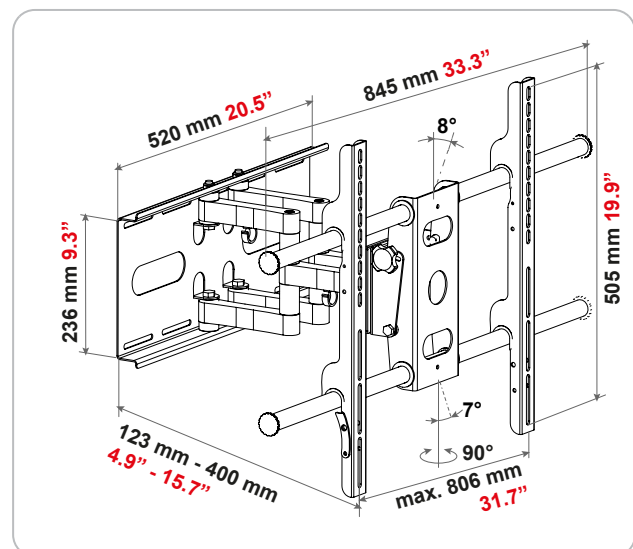


FEATURES (LWH603D 011)

- mount for a flat screen (LED, LCD, TFT or plasma screen)
- easy installation through CLICK & SAVE system
- installation on sturdy walls only
- TÜV and GS certified
- very solid design

TECHNICAL DATA

quality	*** Ultimate
Mounting type	wall mounting
VESA norm	max. 800
Diagonal screen size	94 - 178 cm
Wall distance	123 - 400 mm
Support arm	swivel arm with 2 hinges
Tiltable (vertically)	15°
Swivelling (horizontal)	-45° bis +45°
Capacity	60 kg
Material of product	metal powder-coated stainless
Colour	black
Weight	9,1 kg
Dimensions (width)	845 mm
Dimensions (height)	505 mm
Dimensions (depth)	123 mm
Guarantee	5-year guarantee
packaging	carton



Last updated: 28.03.2016