



★★★
PROFESSIONAL



Projector Mount for Ceiling Mount

This tiltable and 360° swivelling SCHWAIGER® mount with a concealed cable gland is suitable for mounting a projector to the ceiling. It is TÜV and GS certified and has a high mechanical resilience. The universal mounting possibilities make this mount suitable

for all projectors. For installation on sturdy and suitable ceilings only.



ARTICLE INFORMATION

Article Nr
EAN

LWH110B 011
4004005110654



4 004005 110654

Last updated: 28.03.2016

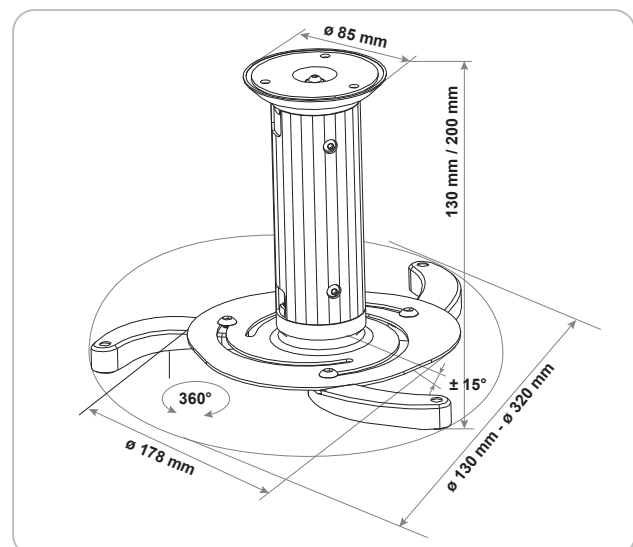


FEATURES (LWH110B 011)

- holder for mounting a projector to the ceiling
- high mechanical resilience
- solid design
- installation on sturdy ceilings only

TECHNICAL DATA

quality	** Professional
Mounting type	mounting on ceilings
VESA norm	230 x 230
Wall distance	130 mm or 200 mm
Tiltable (vertically)	-15° bis +15°
Swivelling (horizontal)	360°
Capacity	30 kg
Accessories (included)	complete with installation instructions and accessories
Material of product	Aluminium
Colour	black
Weight	1.4 kg
Dimensions (width)	305 mm
Dimensions (height)	200 mm
Dimensions (depth)	70 mm
Guarantee	5-year guarantee
packaging	carton



Last updated: 28.03.2016