

SAT

★ ★ ★
PROFESSIONAL



SAT Extension Cable (90 dB)

F connector > F jack

This SCHWAIGER® SAT connection cable is used to extend an F connection. Thanks to the high shielding value of 90 dB, the cable offers maximum protection against electromagnetic

interference. The structure of the cable makes for very small signal attenuation.



ARTICLE INFORMATION

Article Nr
EAN

KVCVHQ50 532
4004005325430



4 004005 325430

Last updated: 23.03.2016

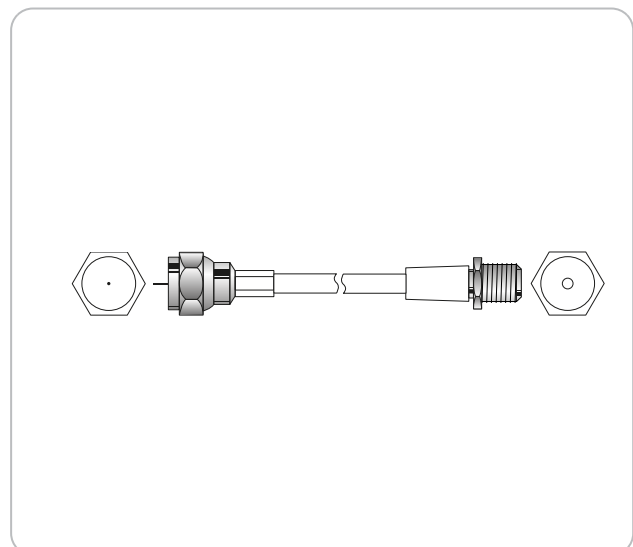


FEATURES (KVCVHQ50 532)

- highest-possible shielding value due to high-quality crimp connectors with brass insert
- non-varying shielding due to glued outer conductor (even while bending)
- inner conductor made of copper for good signal transmission

TECHNICAL DATA

quality	** Professional
Connections	1 x F connector (screw on) 1 x F jack
Impedance	75 Ohm
Plugs	moulded
Shielding value	90 dB
Shielding	shielded twice
Inner conductor	CU
Cable length	5 m
packaging	sealed blister SBL02



Last updated: 23.03.2016