

★☆☆  
PROFESSIONAL



## SAT Extension Cable (90 dB)

F connector > F jack

This SCHWAIGER® SAT connection cable is used to extend an F connection. Thanks to the high shielding value of 90 dB, the cable offers maximum protection against electromagnetic

interference. The structure of the cable makes for very small signal attenuation.



### ARTICLE INFORMATION

Article Nr  
EAN

KVCVHQ30 532  
4004005325423



Last updated: 23.03.2016

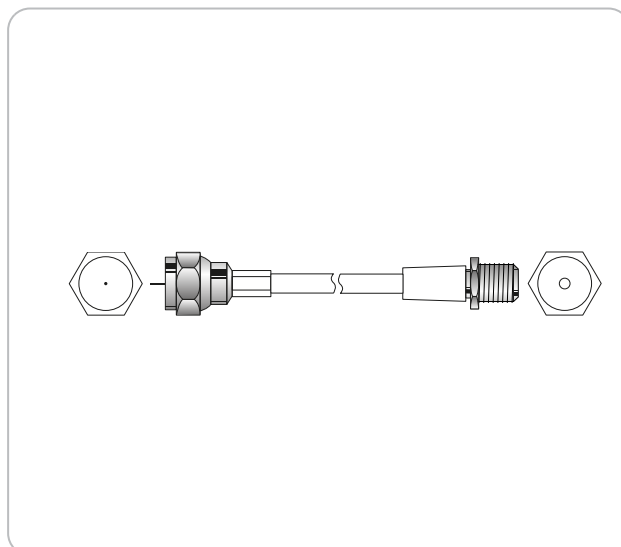


## FEATURES (KVCVHQ30 532)

- highest-possible shielding value due to high-quality crimp connectors with brass insert
- non-varying shielding due to glued outer conductor (even while bending)
- inner conductor made of copper for good signal transmission

## TECHNICAL DATA

quality	** Professional
Connections	1 x F connector (screw on) 1 x F jack
Impedance	75 Ohm
Plugs	moulded
Shielding value	90 dB
Shielding	shielded twice
Inner conductor	CU
Cable length	3 m
packaging	sealed blister SBL02



Last updated: 23.03.2016