

★★★
PROFESSIONAL

HQ Cable Connector

This SCHWAIGER® connector is used as connecting piece or for the extension of coaxial cables.



ARTICLE INFORMATION

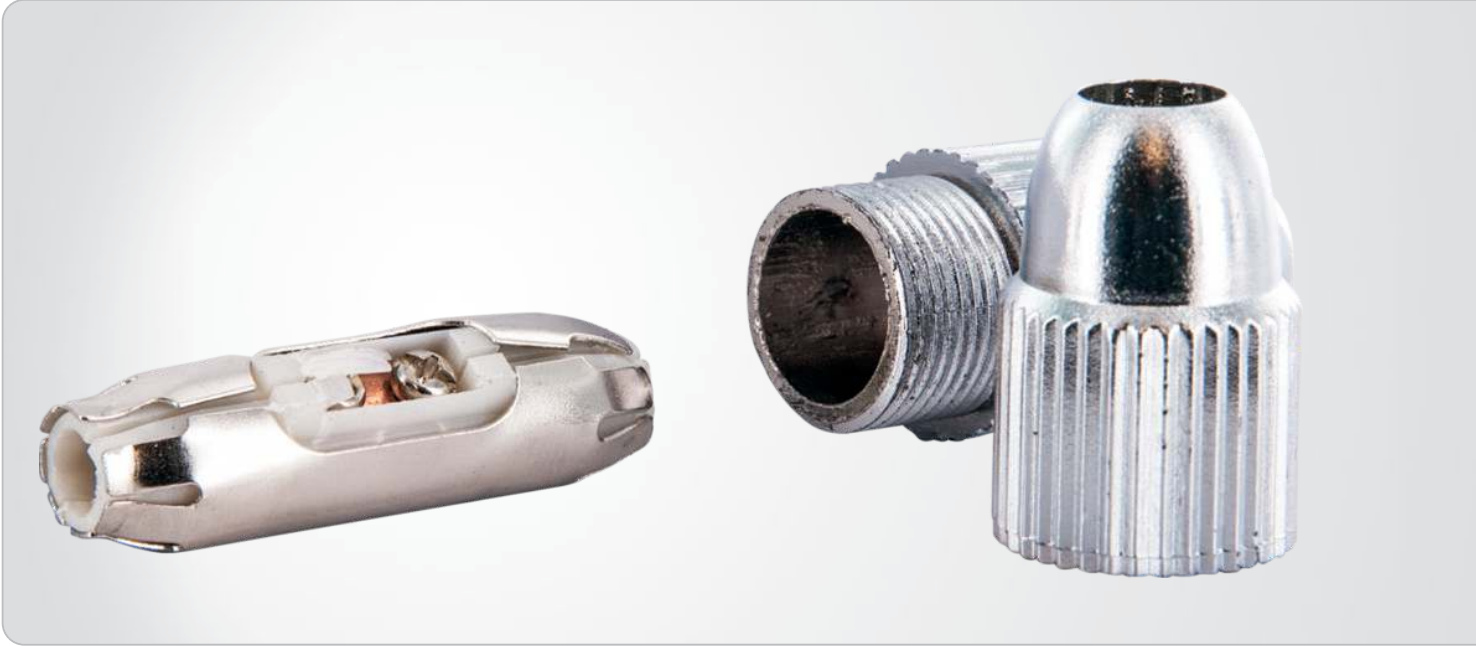
Article Nr
EAN

KVB29S 531
4004005204216



4 004005 204216

Last updated: 23.03.2016

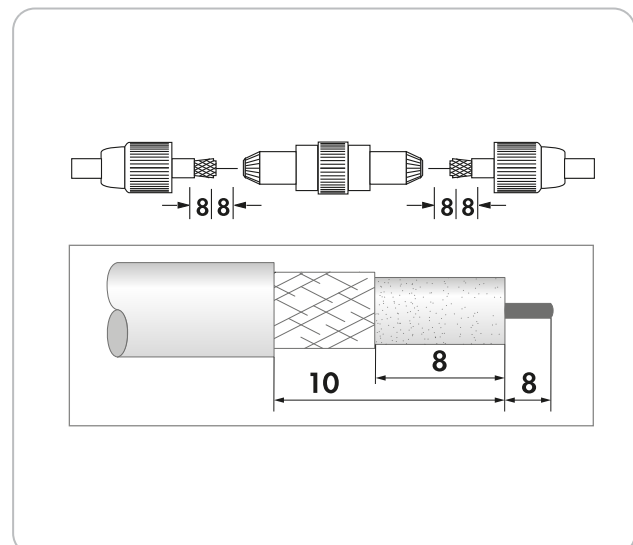


FEATURES (KVB29S 531)

- screwable inner conductor
- high quality due to metallisation

TECHNICAL DATA

quality	*** Ultimate
Colour	silver
Content (package)	1
packaging	sliding blister SBL1S



Last updated: 23.03.2016