



★★★
ULTIMATE

HQ Cable Connector

This SCHWAIGER® connector is used as connecting piece or for the extension of coaxial cables.

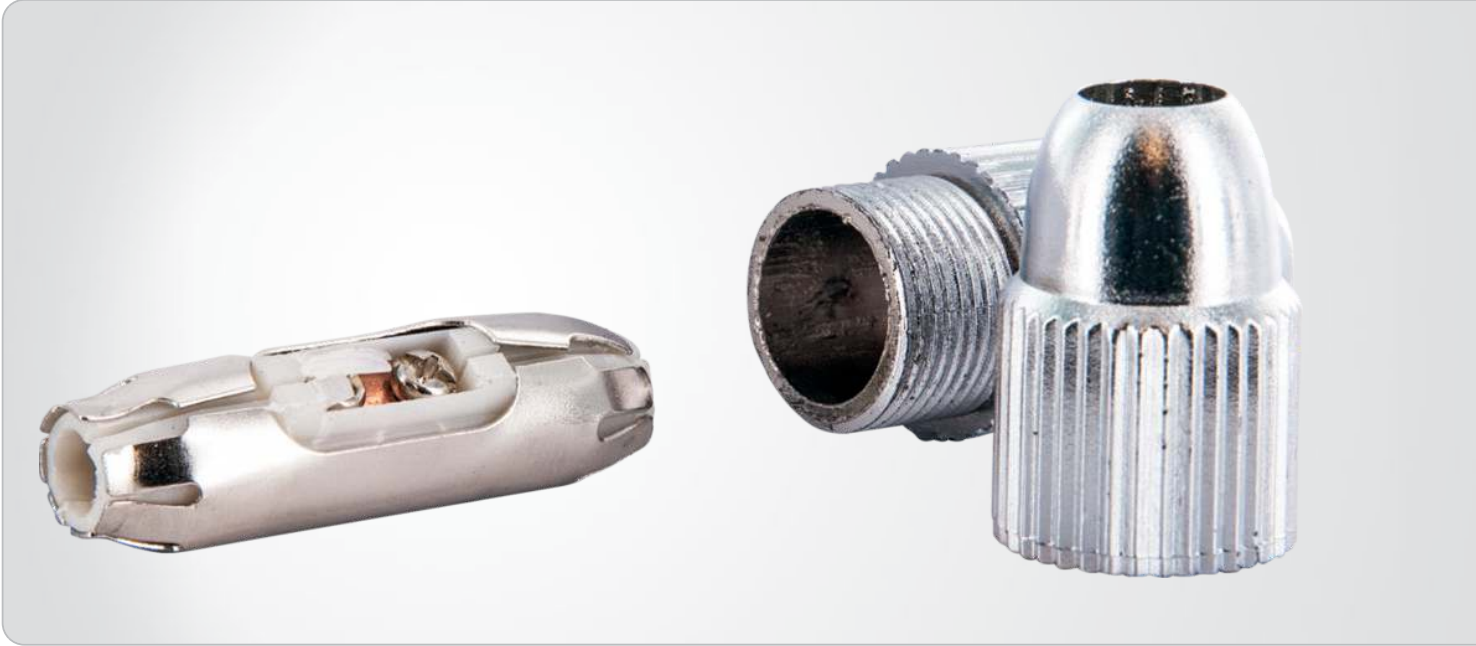
ARTICLE INFORMATION

Article Nr
EAN

KVB29 121
4004005290004



Last updated: 20.01.2017

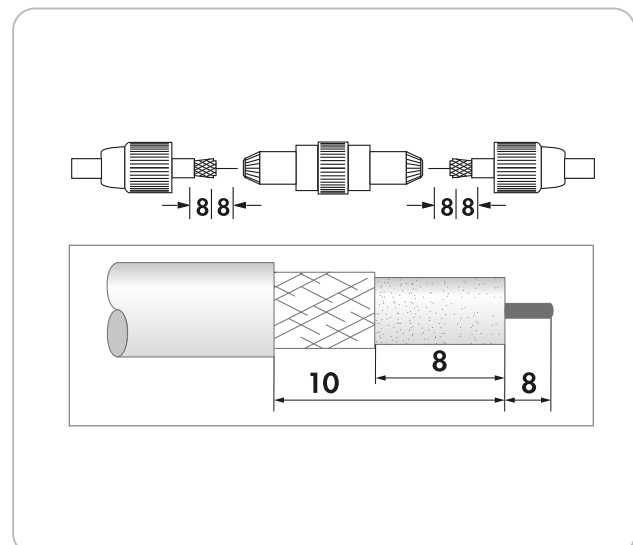


(KVB29 121)

- screwable inner conductor
- high quality due to metallisation

TECHNICAL DATA

Material of product	metal plastic
Colour	silver
Diameter	0.5 - 1.1 mm (inner conductor) 4 - 7.5 mm (cable)
packaging	sliding blister 1b



Last updated: 20.01.2017