☆☆☆  
STANDARD

## Cable Connector

This SCHWAIGER® connector is used as connecting piece or for the extension of coaxial cables.



### ARTICLE INFORMATION

Article Nr  
EAN

KVB16 532  
4004005504781



4 004005 504781

Last updated: 23.03.2016

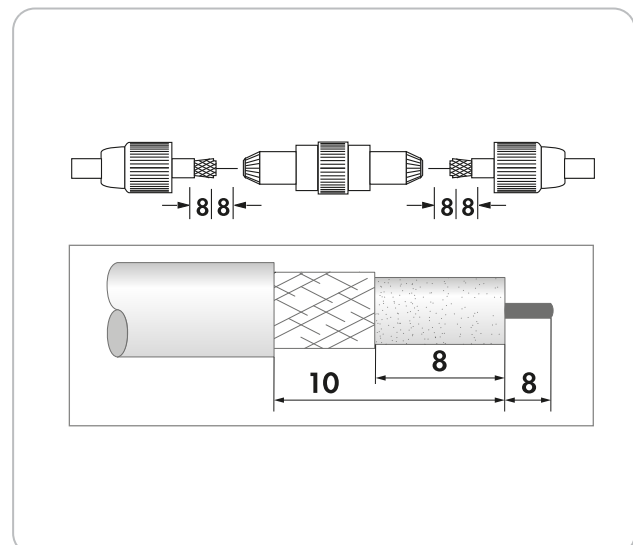


## FEATURES (KVB16 532)

- screwable inner conductor

## TECHNICAL DATA

quality	* Standard
Diameter	0.5 - 1.1 mm (inner conductor) 4 - 7.5 mm (cable)
Content (package)	1
Material of product	metal plastic
Colour	white
packaging	sliding blister SBL1S



Last updated: 23.03.2016