



Cable Connector

This SCHWAIGER[®] connector is used as connecting piece or for the extension of coaxial cables.

ARTICLE INFORMATION

Article Nr
EAN

KVB16 122
4004005161229



Last updated: 20.01.2017

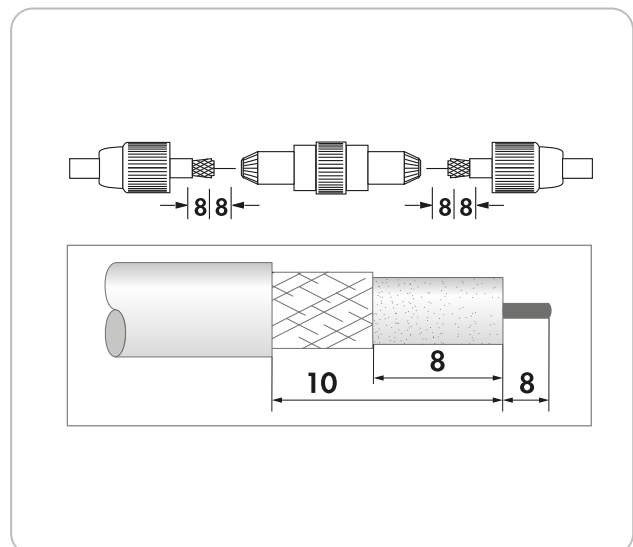


(KVB16 122)

- screwable inner conductor

TECHNICAL DATA

Material of product	metal plastic
Colour	white
Diameter	0.5 - 1.1 mm (inner conductor) 4 - 7.5 mm (cable)
packaging	sliding blister 1b



Last updated: 20.01.2017