



IEC Jack

This SCHWAIGER[®] jack is suitable for installation on coaxial cables. After the cable has been thoroughly stripped, the jack is simply screwed onto the sheath. A suitable stripping

tool and aids for screwing on the jack are available from SCHWAIGER[®].



ARTICLE INFORMATION

Article Nr KST52 141
EAN 4004005520132



4 004005 520132

Last updated: 23.03.2016

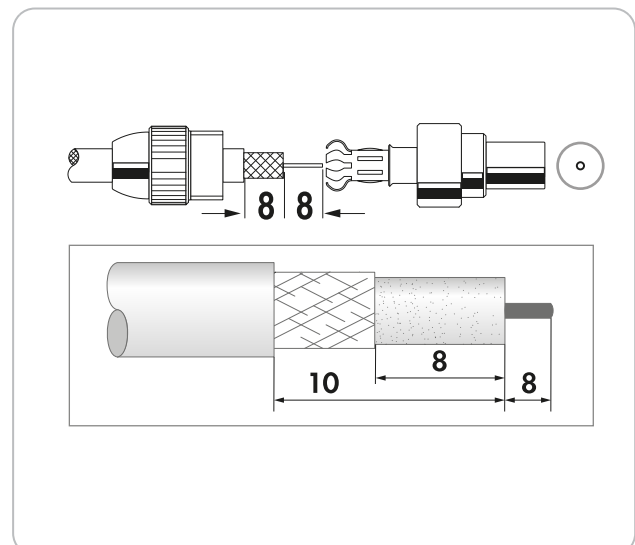


FEATURES (KST52 141)

- for connecting TVs and antenna amplifiers to an antenna socket
- clip-on inner conductor
- high shielding value is guaranteed

TECHNICAL DATA

Connections	1x IEC jack
Diameter	0.5 - 1.1 mm (inner conductor) 4 - 7.5 mm (cable)
Content (package)	10
Plugs	fully shielded
Material of product	metal
Colour	silver
packaging	polybag



Last updated: 23.03.2016