

quickFIX IEC Jack

This SCHWAIGER® QUICKFIX coaxial jack is used to connect a coaxial cable to an antenna socket. The solid jack was designed with several changes of cable in mind. The inner

conductors are pluggable. This jack allows for high-resolution reception quality.

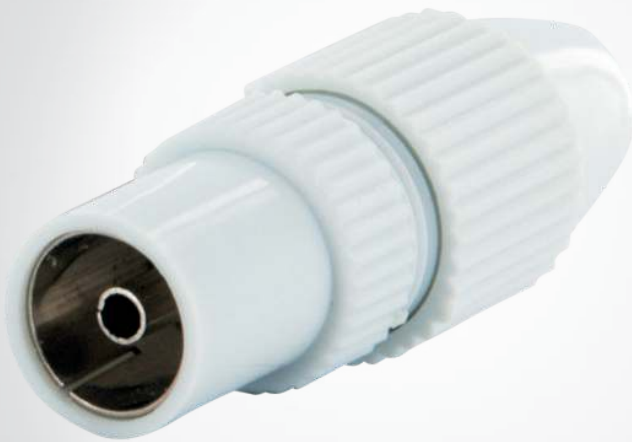


ARTICLE INFORMATION

Article Nr KST32 604
 EAN 4004005601152



Last updated: 19.01.2017

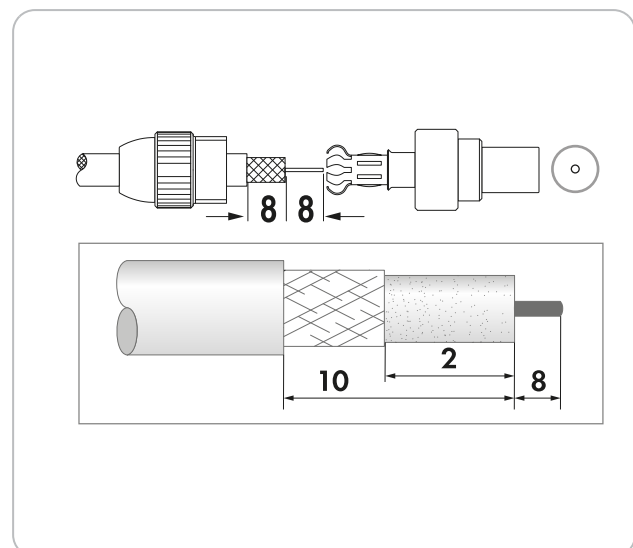


(KST32 604)

- for connecting TVs and antenna amplifiers to an antenna socket
- clip-on inner conductor
- very easy installation
- Quick plug system

TECHNICAL DATA

Material of product	metal plastic
Colour	white
Connections	1x IEC jack
Diameter	0.5 - 1.1 mm (inner conductor) 4 - 7.5 mm (cable)
Content (package)	4
packaging	polybag



Last updated: 19.01.2017