



★ ★ ★
PROFESSIONAL



quickFIX IEC Connector

This SCHWAIGER® quickFIX coaxial connector is used to connect a coaxial cable to an antenna socket. The solid connector was designed with several changes of cable in mind. The inner conductors are pluggable.

This connector allows for high-resolution reception quality.



ARTICLE INFORMATION

Article Nr
EAN

KST30 532
4004005503906



Last updated: 23.03.2016

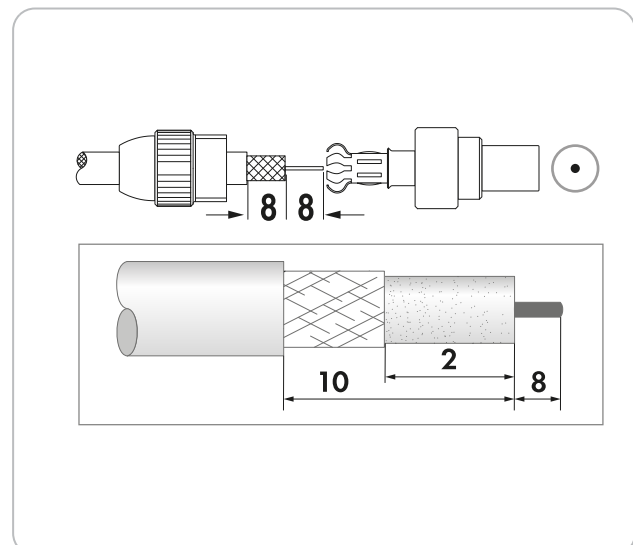


FEATURES (KST30 532)

- for connecting TVs and antenna amplifiers to an antenna socket
- clip-on inner conductor
- very easy installation
- Quick plug system

TECHNICAL DATA

quality	** Professional
Connections	1x IEC connector
Diameter	0.5 - 1.1 mm (inner conductor) 4 - 7.5 mm (cable)
Content (package)	1
Material of product	metal plastic
Colour	white
packaging	sliding blister SBL1S



Last updated: 23.03.2016