



## IEC Jack

This SCHWAIGER<sup>®</sup> IEC jack is used to connect a coaxial cable to an antenna socket. The jack was designed with several changes of cable in mind. The inner conductors are

screwable. This jack allows for high-resolution reception quality.

### ARTICLE INFORMATION

Article Nr  
EAN

KST21 122  
4004005211221



Last updated: 19.01.2017

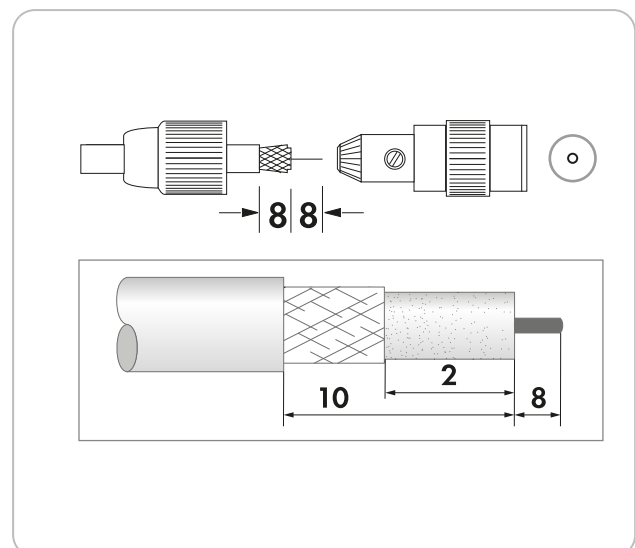


(KST21 122)

- for connecting TVs and antenna amplifiers to an antenna socket
- screwable inner conductor
- very easy installation

## TECHNICAL DATA

Material of product	metal plastic
Colour	white
Connections	1x IEC jack
Diameter	0.5 - 1.1 mm (inner conductor) 4 - 7.5 mm (cable)
Content (package)	1
packaging	sliding blister 1 a



Last updated: 19.01.2017