



★★★  
ULTIMATE



## HQ IEC Connector

This SCHWAIGER® IEC connector is used to connect a coaxial cable to an antenna socket. The solid connector was designed with several changes of cable in mind. The inner

conductors are screwable. This connector allows for high-resolution reception quality.



### ARTICLE INFORMATION

Article Nr  
EAN

KST15 531  
4004005503883



Last updated: 23.03.2016

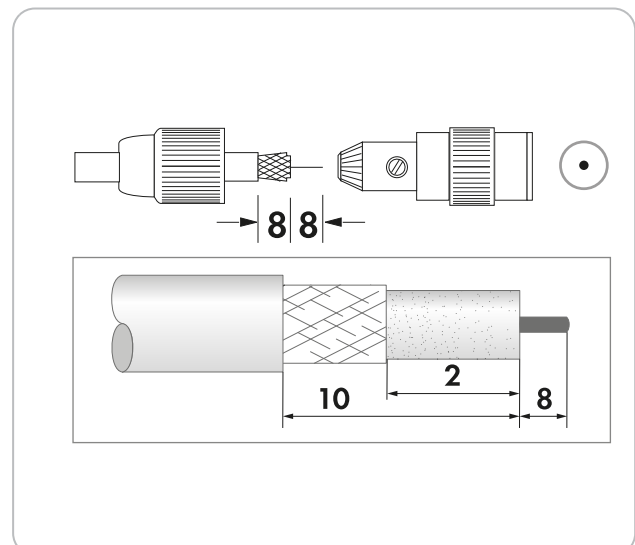


## FEATURES (KST15 531)

- for connecting TVs and antenna amplifiers to an antenna socket
- screwable inner conductor
- very easy installation

## TECHNICAL DATA

|                     |                                                      |
|---------------------|------------------------------------------------------|
| quality             | *** Ultimate                                         |
| Connections         | 1x IEC connector                                     |
| Diameter            | 0.5 - 1.1 mm (inner conductor)<br>4 - 7.5 mm (cable) |
| Content (package)   | 1                                                    |
| Material of product | plastic chromium-plated                              |
| Colour              | silver                                               |
| packaging           | sliding blister SBL1S                                |



Last updated: 23.03.2016