

**HD TV** 1080p

10 m

110 dB

FULL HD TV

3 pcs.

SAT HDTV Connection Set

This SCHWAIGER® SAT-HDTV connection set provides all the basic equipment necessary for connecting a SAT system to a receiver and for connecting a receiver to the TV.

ARTICLE INFORMATION

Article Nr
EANHDSET102 011
4004005102123

4 004005 102123

Last updated: 23.03.2016



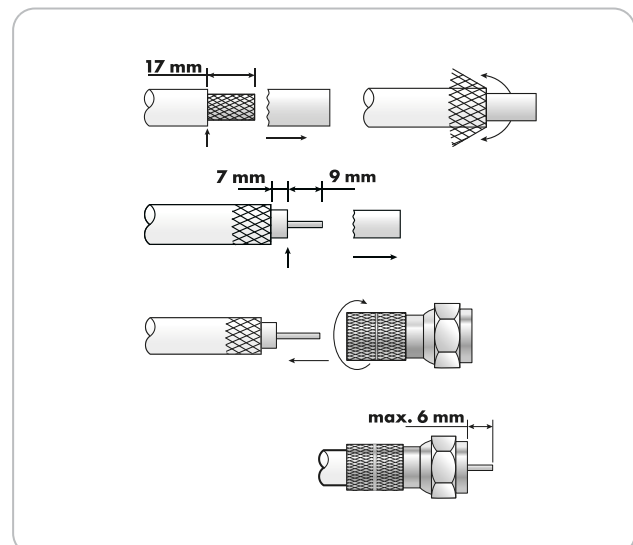
FEATURES (HDSET102 011)

- set consists of: 1x 10 m coaxial cable with pre-assembled F connector, 110 dB, white 1x 1.5 m cable, white 1x F connector
- connection set for connecting the SAT system / outer antenna to a receiver and TV for HDTV signals
- excellent shielding efficiency of coaxial and HDMI cable allow for perfect signal quality and optimum HD quality

TECHNICAL DATA

packaging

carton



Last updated: 23.03.2016