



★
BASIC

50
pcs.

4
mm

Screw-On F Connector 50-Piece Set (Ø 4 mm)

This SCHWAIGER® F connector is suitable for installation on coaxial cables. After the cable has been thoroughly stripped, the connector is simply screwed onto the jacket. A suitable stripping tool and aids for screwing on F

connectors are also available from SCHWAIGER®.



ARTICLE INFORMATION

Article Nr
EAN

FST8314 201
4004005831405



Last updated: 20.01.2017

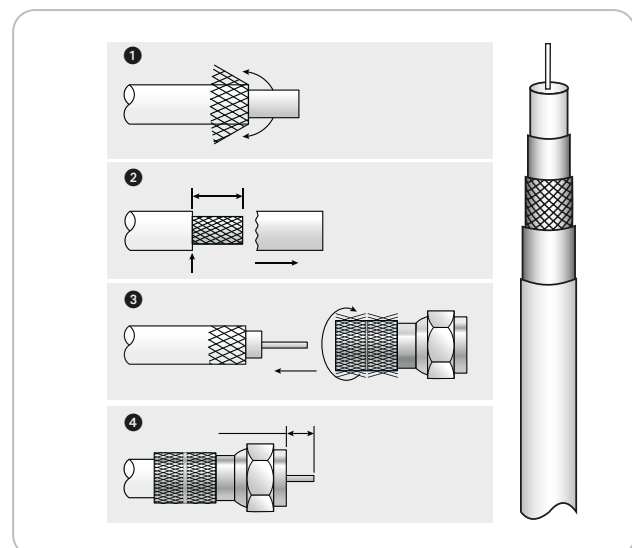


(FST8314 201)

- for installation on coaxial cables
- fast and secure connection of connector and cable
- large and wide nut

TECHNICAL DATA

Colour	silver
Outer diameter	4 mm
Content (package)	50
packaging	polybag



Last updated: 20.01.2017