



★★★
ULTIMATE



PREMIUM Rafter Holder

for SAT Antennas

This rafter holder is a high-quality mounting solution. It guarantees for solid mounting on top of, under or between two rafters. Thanks to the intelligent mast division, the whole unit can be easily pre-assembled on the ground. Afterwards, it can be tightly connected to the rafter

holder with a screw, thus, eliminating any risk of swivelling. Use of top-notch material guarantees a long service life, even under extreme weather conditions.



ARTICLE INFORMATION

Article Nr
EAN

DSH1040V 011
4004005104073



Last updated: 23.03.2016

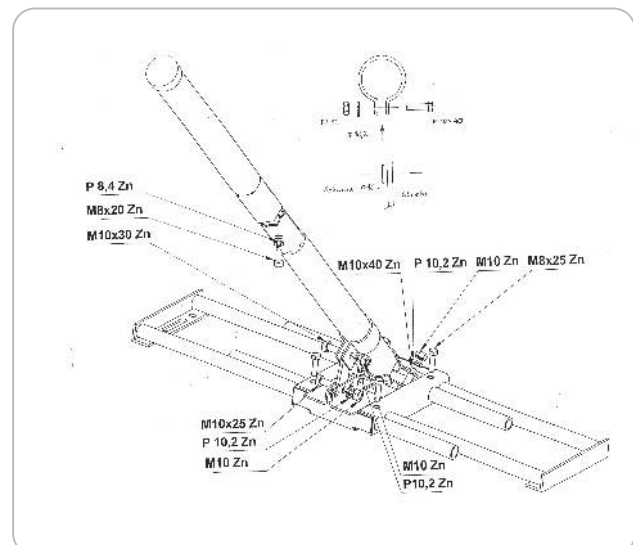


FEATURES (DSH1040V 011)

- carrier for mounting a mast to a rafter
- suitable for mounting offset antennas with a diameter of up to 100 cm
- complete set
- central adjustment of the mast grommet on shaped tiles (e.g. Frankfurter Pfanne tiles) by moving the mast horizontally
- roof inclination can be continuously adjusted
- space between rafters can be continuously adjusted

TECHNICAL DATA

quality	** Professional
Mounting type	roof mounting
Roof pitch	24 - 56 °
Rafter spacing	50 - 90 cm
Wall distance	25 mm
Diameter	48 mm
Length of mast	1.1 m
Material of product	Steel galvanised
Colour	silver
packaging	carton



Last updated: 23.03.2016