

3-Hole Antenna Socket Single (2 dB)

with Separated SAT IF Interfaces

This SCHWAIGER® single socket is suitable for single, community, broadband cable and satellite antenna systems. A special feature of this socket is the two-cable and clamping technology. The two-cable technology means that there are two separate F connectors which

can be used independently of one another. Thanks to the special clamping technology, the cable connections do not have to be screwed together.

ARTICLE INFORMATION

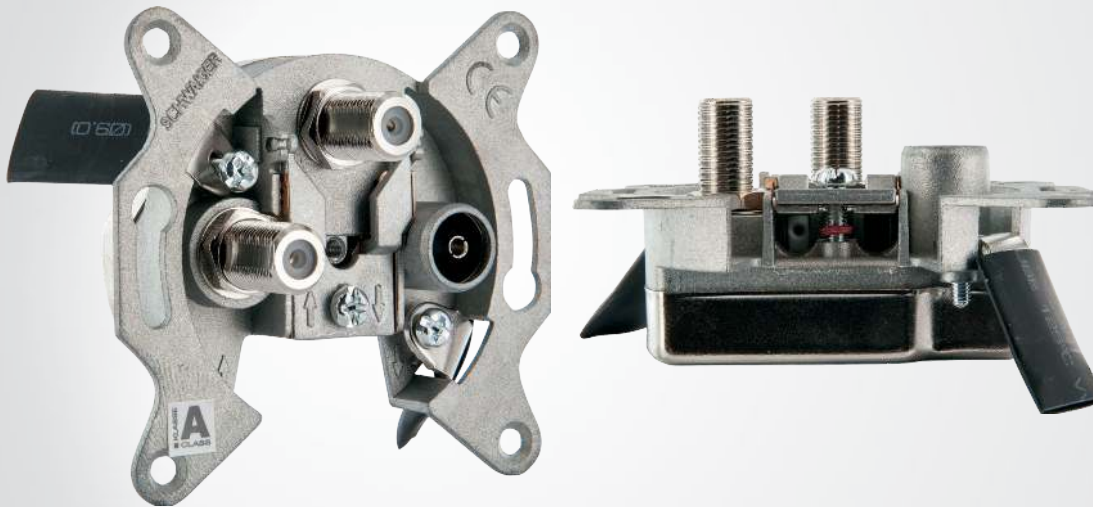
Article Nr
EAN

DSE652 021
4004005652017



4 004005 652017

Last updated: 18.01.2017

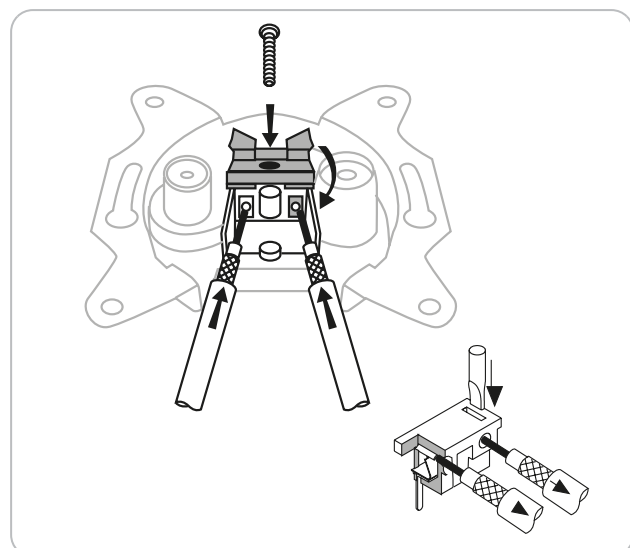


(DSE652 021)

- hinged clamp for fastening the outer conductor
- clamping technology for screwless fastening of the inner conductor (\varnothing 0.4 to 1.2 mm)
- crimping fastener for plaster inserts (55mm)
- two-cable technology with two F connectors
- Direct Current pass (DC) at the connections SAT1 and SAT2
- Normen, siehe Konformitätserklärung (Support & Service)

TECHNICAL DATA

Colour	silver
Classification	class A
Connections	2x F jack 1x IEC jack
Frequency range	5 - 2400 MHz (SAT 1) 950 - 2400 MHz (SAT 2) 5 - 862 MHz (SAT 2/TV/FM) 5 - 862 MHz (TV/FM)
Isolation	> 22 dB (SAT/SAT) > 30 dB (SAT/terrestrial)
Tap loss	< 2,0 dB
Mounting depth	22 mm
Material of product	aluminium die cast corrosion-protected
Dimensions (width)	70 mm
Dimensions (height)	66 mm
Dimensions (depth)	22 mm
packaging	sliding blister 3c



Last updated: 18.01.2017