



★★★
PROFESSIONAL



USB 2.0 Connection Cable

360° USB 2.0 A plug > USB 2.0 B plug

This SCHWAIGER® USB 2.0 connection cable is designed to connect a computer to another device with a USB 2.0 Standard-B connection, e.g. USB HUB (e.g. keyboard, monitor), USB HUB/computer with interface to USB terminal device (e.g. scanner, printer). A special feature of this cable is the 180° tilting

and 360° swivelling plug on one side, which can be angled or swivelled according to your needs when used in narrow places, e.g. close to a wall. The cable is based on the USB 2.0 standard, in accordance with the USB bus standard.



ARTICLE INFORMATION

Article Nr
EAN

CKS1615 533
4004005475982



4 004005 475982

Last updated: 28.03.2016

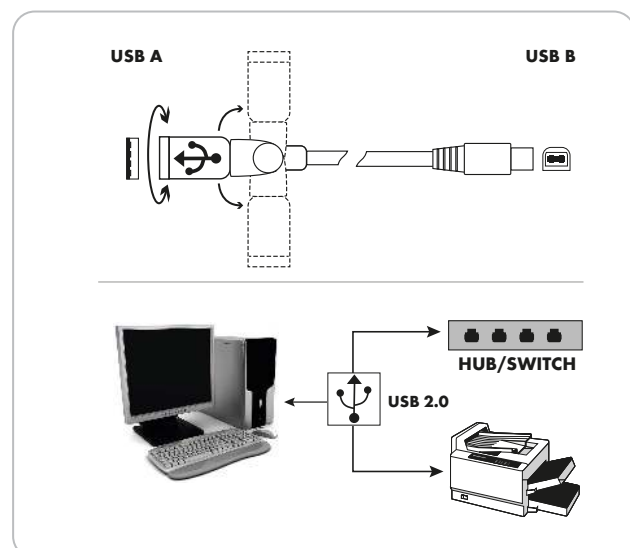


FEATURES (CKS1615 533)

- connects a computer (with USB interface) to a USB HUB (e.g. keyboard, monitor), USB HUB/computer with USB interface to USB terminal device (e.g. scanner, printer)
- high-speed data transfer of up to 480 Mbit/s
- USB 2.0 (backward-compatible)
- solid plugs with strain relief

TECHNICAL DATA

quality	** Professional
Connections	1x USB 2.0 A plug 1x USB 2.0 B plug
Data transfer	(max.) 480 Mbit/s
Cable length	1.5 m
Plugs	black plastic nickel-plated contact
Material of product	plastic metal
Colour	black
packaging	sealed blister SBL02



Last updated: 28.03.2016