



☆☆☆
STANDARD

5m

6x



VIDEO Connection Cable

3 CINCH plugs > 3 CINCH plugs

This SCHWAIGER® CINCH audio/video cable is designed for transmitting audio and video signals. It can, for example, be used to connect an amplifier to a DVD player. High-quality materials and excellent workmanship

guarantee for best possible transmission quality.



ARTICLE INFORMATION

Article Nr
EAN

CIK5050 533
4004005503128



Last updated: 28.03.2016

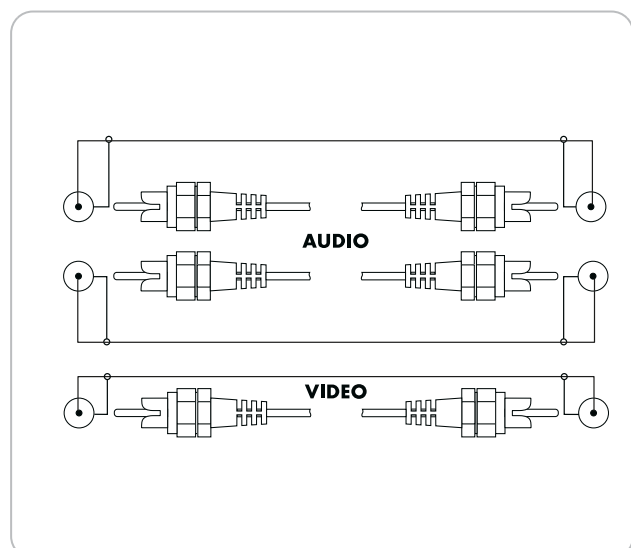


FEATURES (CIK5050 533)

- connection cable for audio and video transmission
- easy matching due to colour-coded plugs

TECHNICAL DATA

quality	* Standard
Connections	3x CINCH plugs 3x CINCH plugs
Shielding	shielded
Cable length	5 m
Colour	black
packaging	sealed blister SBL02



Last updated: 28.03.2016