



## Power Inserter

for supplying active antennas with power

This SCHWAIGER<sup>®</sup> power inserter is used to supply active antennas not equipped with a separate DC input with power by using the included 230 V power supply unit. It is put between a TV or receiver and the antenna.

Therefore, power supply of the antenna is independent of the TV or receiver.



### ARTICLE INFORMATION

Article Nr  
EAN

ANTNG100 041  
4004005314977



Last updated: 23.03.2016

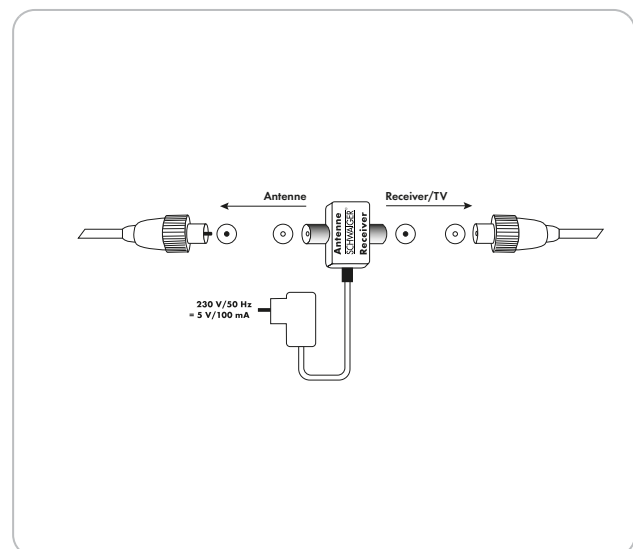


## FEATURES (ANTNG100 041)

- allows for supplying active antennas with power via the included 230 V power supply unit
- power inserter for installation between a TV/receiver and an antenna
- for all active antennas not equipped with a separate DC input
- power supply independent of the TV/receiver

## TECHNICAL DATA

Connections	1x IEC connector 1x IEC jack 1x DC input
Accessories (included)	power supply unit (230 V AC, 5 V DC, 100 mA)
Colour	silver
packaging	polybag



Last updated: 23.03.2016